



NOTICE TO BIDDERS CITY OF PLYMOUTH



Notice is hereby given that the City of Plymouth, Michigan will accept sealed bids up until 1:30 p.m., Thursday, May 9, 2024. The bid opening will be at 2:00 p.m., Thursday, May 9, 2024 for the following:

LED RETROFIT OF PLYMOUTH CULTURAL CENTER LIGHTING WITH ELECTRICIAN SERVICES

Specifications and bid documents are available at the city hall during normal business hours. You may also download a copy of the documentation from the City's web site at:

<http://www.plymouthmi.gov>

The City of Plymouth reserves the right to accept or reject any or all bids, in whole or in part, and to waive any irregularities.

Maureen Brodie - City Clerk
City of Plymouth
201. S. Main
Plymouth, MI 48170

INSTRUCTION TO BIDDERS

MODIFICATIONS: The proposal shall not contain any recapitulations of the work to be done. The City is under no obligation to consider alternate proposals or modifications to the specifications unless specifically requested in the bid documents. Oral presentations will not be considered.

EXAMINATION/INTERPRETATION OF THE CONTRACT DOCUMENTS & ABILITY TO BID: Before submitting a proposal, bidders shall carefully read the specifications and other bid documents and shall fully inform themselves as to all existing conditions and limitations and shall include in the proposal a sum to cover the cost of all items included in the specifications. Any bidder in doubt as to the true meaning of any part of the specifications or contract documents may submit to the City of Plymouth a written request for an interpretation or correction thereof. The person submitting such request will be responsible for its prompt delivery. If the interpretation is of general significance to all bidders, the City will attempt to fax or mail a copy of the interpretation to all parties known to be considering the bid. If the interpretation is of sufficient importance to potentially affect other bids, then the City may extend the bid due date to give all potential bidders an opportunity to consider the interpretation. Neither the City, nor its agents and employees, shall be responsible for any other explanations or interpretations of the specifications and bid documents, other than those issued in writing by the City Clerk.

It is the intent of the City of Plymouth that all qualified contractors are able to bid under these specifications. If the bidder feels that the specifications are unreasonably restrictive and prevent an effective bid from being submitted, then the bidder is encouraged to notify the City and provide a written request for interpretation of the specification, which is being considered restrictive.

ADDENDA: Any addenda issued prior to the bid opening shall be covered by the bidder in the proposal and shall be made part of the contract documents. Receipt of such addendum shall be acknowledged in the proposal.

DELIVERY OF PROPOSALS: Bids shall be delivered by the time and to the place specified in the Notice to Bidders. It is the sole responsibility of the bidder to see that his/her proposal is received in proper time. Any proposal received after the scheduled closing time for receipt of proposals shall be returned to the bidder unopened. To avoid late receipt and disqualification of bids, it is recommended that bidders personally deliver bids or utilize overnight or certified mail with return receipt requested.

BIDS SHOULD BE DELIVERED IN SEALED ENVELOPES BEARING THE INSCRIPTION "PCC LED RETROFIT PROJECT". DELIVER BIDS TO:

Maureen Brodie - City Clerk
City of Plymouth
201 S Main
Plymouth, MI 48170-1688

WITHDRAWAL: Any bidder may withdraw his proposal, either personally or by telegraphic, faxed or written request, at any time prior to the scheduled closing time for receipt of proposals.

OPENINGS: Proposals will be opened and publicly read aloud at the time designated.

BIDDER QUALIFICATIONS/REFERENCES: All bidders shall include a list of at least three references, preferably municipalities, which the City may contact regarding the bidder's performance. Upon request, the bidder shall also furnish a written statement of its qualifications for the proposed work and a list of work completed on similar projects.

DURATION OF PROPOSALS: Each proposal shall be considered binding and in effect for a period of ninety (90) days following the bid opening.

PAYMENT TERMS: To be determined by The City of Plymouth based on when the order is delivered.

EQUAL EMPLOYMENT OPPORTUNITY: In connection with the performance of work under this contract, the contractor agrees not to discriminate against any employee or applicant for employment because of race, religion, color, or national origin. The contractor shall further not discriminate against any employee or applicant for employment to be employed in the performance of this contract with respect to his/her hire, tenure, terms, conditions, privileges of employment or any matter directly or indirectly related to employment because of age, except in cases of bona-fide occupational qualifications. Non-compliance with the non-discrimination clause of this contract shall result in cancellation, termination or suspension of the contract and the contractor may be declared ineligible for further City of Plymouth contracts.

HOLD HARMLESS CLAUSE: The contractor agrees to defend and hold the City of Plymouth and its tenants harmless from any claims, actions, damages, losses and expenses of any sort arising out of or in connection with any act or omission of said company, its employees, stewards agents or sub-contractors.

FAILURE TO PERFORM: Failure to perform according to the specifications and bid will result in immediate cancellation of the contract, with the understanding that the City will contact the contractor and inform him/her of any deficiencies and allow corrections of said deficiencies to be made within 24 hours of such notification. Repeated failures of same deficiency will result in immediate termination of the contract after written notice has been given and noted as final notice of failure to comply.

NON-COLLUSION AFFIDAVIT: Bidders will complete the enclosed Affidavit of Non-collusion by Contractor form.

THE CITY OF PLYMOUTH RESERVES THE RIGHT TO ACCEPT OR REJECT ANY OR ALL BIDS, IN WHOLE OR IN PART, AND TO WAIVE ANY IRREGULARITIES. LOW BID DOES NOT AUTOMATICALLY GUARANTEE BID AWARD. BID IS AWARDED TO "BEST BID" AS DETERMINED BY THE CITY OF PLYMOUTH.

Bid may be awarded to more than one bidder.

AFFIDAVIT OF NONCOLLUSION

STATE OF _____ COUNTY OF _____

_____ (name), being first duly sworn deposes and says

that he/she is _____ (title) of _____ (corporation)

who submits herewith to the City of Plymouth a proposal for **PCC LED RETROFIT PROJECT** for the City of Plymouth and certifies:

That all statements of fact in such proposal are true;

That such proposal was not made in the interest of or on behalf of any undisclosed person, partnership, company, association, organization or corporation;

That such proposal is genuine and not collusive or sham;

That said bidder has not, directly or indirectly, by agreement, communication or conference with anyone, attempted to induce action prejudicial to the interest of the City of Plymouth, or of any other bidder or anyone else interested in the proposed contract; and further

That prior to the public opening and reading of proposals, said bidder:

1. Did not, directly or indirectly, induce or solicit anyone else to submit a false or sham proposal;
2. Did not, directly or indirectly, collude, conspire, connive or agree with anyone else that said bidder or anyone else would submit a false or sham proposal, or that anyone should refrain from bidding or withdraw his bid;
3. Did not in any manner, either directly or indirectly, seek by agreement, communication or conference with anyone to raise or fix the proposal price of said bidder or of anyone else or to raise or fix any overhead, profit, cost element of his proposal price or of that of anyone else;
4. Did not, directly or indirectly, submit his proposal price or any breakdown thereof, or the content thereof, or divulge information relative thereof, to any corporation, partnership, company, association, organization, bid depository, or to any member or agent thereof, or to any individual or group of individuals, except to any person or persons who have a partnership or other financial interest with said bidder in this business.

Firm Name

Signature of Bidder

Date:

RAB LED Fixtures, Lamps and Can Lighting

Alternate LED products other than listed will NOT be accepted.

***Delivery of all fixtures, lamps and can lighting to the Plymouth Cultural Center, 525 Farmer, Plymouth MI, 48170 **is to be included in per unit pricing.**

RAB LED Flat Panel Fixtures

Model #: T34FA-2x4

Fixture to be recessed into T-grid ceilings.

Case Qty (2 fixtures per case): 22 cases (44 total fixtures)

RAB LED Linear Tubes

Model #: T8-15-48G-8CCT-HYB

Linear Tube to be installed in current fixtures.

Case Qty (25 tubes per case): 18 cases (450 total linear tubes)

RAB LED Recessed Retrofit for existing can lighting.

Model #: R34-6B

6" Can Retrofit to be installed in current fixtures.

Case Qty (1 unit per case): 70 Units

Model #: R34-4B

4" Can Retrofit to be installed in current fixtures.

Case Qty (1 unit per case): 10 Units

Electrician Services

- All electrical service must only be performed by an electrician(s) licensed by the State of Michigan. All applicable building codes must be observed.
- Electrician licensing may require verification by the City Staff prior to bids being awarded.
- The vendor will be required to pull an electrical permit with the City of Plymouth Building Department. All fees for the permit will be waived by the city.
- City will supply the vendor with a 2-man scissor lift (Genie GS-2632) for areas that will accommodate scissor lift access. Lift to be returned to garage and plugged in at the end of day.
- All other areas will require the vendor to supply their own 6', 8', 10' or 12' ladders and equipment.
- **Tour of the work areas can be arranged by appointment ONLY with Recreation Director, Steve Anderson at 734-455-6620 x 302 or by e-mail: sanderson@plymouthmi.gov**
- All common electrical supplies (wire nuts, wire, electrical tape....) is to be included in the bid pricing submitted.

Installation of RAB LED Flat Panel Fixtures

A total of 40 - Model T34FA-2x4 fixtures to be installed in the:

- Card Room,
- Cultural Center (fireplace area) Main Hallway
- Cultural Center Arena Main Entryway
- Recreation Department Offices

Old existing fixtures and lamps to be removed disposed of by vendor (*see description of disposal)

LED Fixture to be direct wired and placed into pre-existing T-grid ceiling opening.

Wattage and Kelvin settings to be determined by Rec Dept. Staff.

Lighting switches in Card Room to be field adjusted as needed.

All wire clipping and other items dropped on the floor must be swept up and properly disposed of at the end of the workday. Areas to be left safe for the public and staff.

Cardboard and other packaging to be disposed of by vendor. City dumpster may be used for packaging products with prior city staff approval.

RAB LED Linear Tubes

Old fluorescent lamps to be removed and disposed of by vendor (*see description of disposal)

Ballast to be removed from each fixture and fixture to be direct wired. Ballast to be disposed of (*see description of disposal) **(Also see alternate bid #1 to this requirement)**

Model T8-15-48G-8CCT-HYB LED Linear Tubes to be placed into current fixtures after wiring has been completed.

Existing fixtures located in:

- Fitness Room, Fitness Room East Closet
- Card Room Closet
- Main Reception Room, Reception Room East Closet
- Main Air Handling Room
- Kitchen, Kitchen Pantry
- Main Entry- Concession Area
- Sign in Counter Area, Clerk's Office / Control Room
- Concession Stand, Concession Back Room
- Ice Arena - Emergency Door Lights, Skate Room, Old Zam Garage, Arena Storage Rooms (4), Locker Room 5 & 6, Girls Changing Room, New Zam Garage, Tool Room, New Zam Garage Mechanical Room, Varsity Locker Room
- Main Mechanical Room, Water Tower Room, Sport Equip. Closet, Electrical Room
- Recreation Office Closet

Lenses to be placed back in the fixture for normal operation when completed.

Wattage and Kelvin settings to be determined by Rec Dept. Staff per room.

All wire clipping and other items dropped on the floor must be swept up and properly disposed of at the end of the workday. Areas to be left safe for the public and staff.

Cardboard and other packaging to be disposed of by vendor. City dumpster may be used for packaging products with prior city staff approval.

RAB LED Linear Tubes – ALTERNATE #1

Ballast are **not** removed from the fixture by the vendor.

Fluorescent lamps are switched out with LED Linear Tubes. Wattage and Kelvin settings to be determined by Rec Dept. Staff.

Fixture lenses placed back in the fixture for normal operation when completed.

Cardboard and other packaging to be disposed of by vendor. City dumpster may be used for packaging products with prior city staff approval.

Old existing fluorescent lamps to be removed and disposed of by vendor (*see description of disposal)

RAB LED Recessed Retrofit for existing can lighting.

A total of 70-Model R34-6B and 7-Model R34-4B to installed in the:

- Cultural Center (fireplace area) Main Hallway
- Cultural Center Arena Main & Concession Area
- Reception Room

Old existing trim and lamps to be removed and disposed of by vendor (*see description of disposal)

Fixture to be recessed into pre-existing opening of corresponding size.

Kelvin settings to be determined by Rec Dept. Staff.

All wire clipping and other items dropped on the floor must be swept up and properly disposed of at the end of the workday. Areas to be left safe for the public and staff.

Cardboard and other packaging to be disposed of by vendor. City dumpster may be used for packaging products with prior city staff approval.

Disposal of all replaced fixtures, ballast and lamps.

Vendor will be responsible for the proper disposal of all replaced fixtures, ballast, and lamps.

Any lamps and ballast that have hazardous materials (mercury, PCB's or any other hazardous materials) must be disposed of with a proper disposal company. **Verification of proper disposal of hazardous material will be required by the city staff.**

Old trim and non-hazardous fixtures are to be removed and properly disposed of off-site. City dumpsters may NOT be used for disposal.

Cardboard and other packaging to be disposed of by vendor. City dumpster may be used for packaging products with prior city staff approval.

City of Plymouth Proposal Form

RETROFIT OF PLYMOUTH CULTURAL CENTER LIGHTING PROJECT

Completed bid packet due to City Clerk by: 1:30 p.m., Wednesday, May 1, 2024

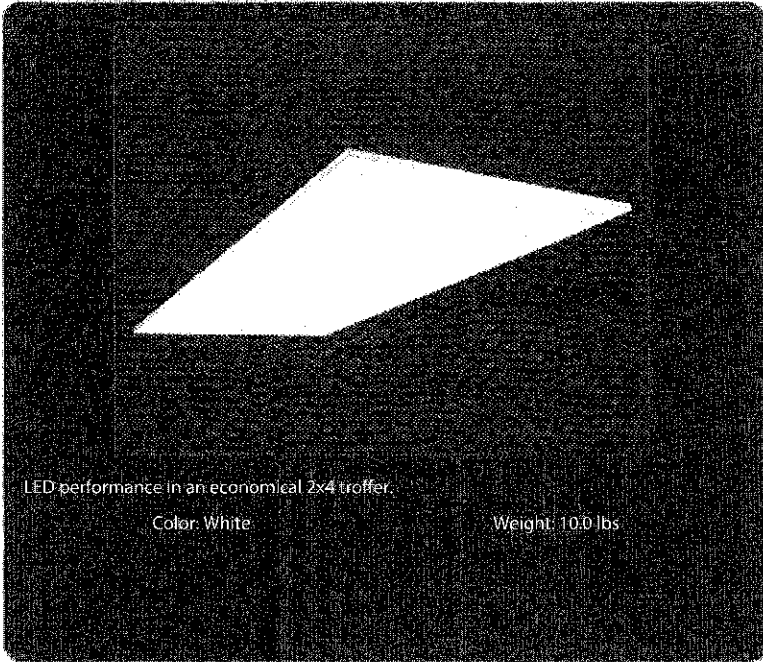
- Please provide pricing for LED equipment, labor, and disposal in table below
- Completed Non-Collusion Affidavit
- Submit three (3) copies of the proposal form.

Bidder Company Name:	
Address:	
Phone Number:	
Email Address:	
Contact Person:	

Bid Pricing	
For LED Lighting Equipment (Delivery included in per case/unit cost)	
RAB Model #: T34FA-2x4 (LED Recessed Flat Panel) PER CASE PRICE	\$
RAB Model #: T8-15-48G-8CCT-HYB (LED Linear Tube) PER CASE PRICE	\$
RAB Model #: R34-6B (LED Recessed Can Retrofit) PER UNIT PRICE	\$
RAB Model #: R34-4B (LED Recessed Can Retrofit) PER UNIT PRICE	\$
Bid Pricing	
For Electrical Services as described in bid document	
Installation of all listed RAB LED Recessed Flat Panels, Bid Amount-	\$
Installation of all listed RAB LED Linear Tubes (with ballast removal and direct wiring) Bid Amount-	\$
Installation of all listed RAB LED Linear Tubes ALTERNATE #1 Bid Amount -	\$
Installation of all listed RAB LED Recessed Retrofits (can lights) Bid Amount-	\$
Bid Pricing	
Proper disposal of lamps, ballast, or any other hazardous materials	
Fee for proper removal and disposal as listed in specification	\$

I affirm that I have the authority to submit this bid to the City of Plymouth for the items specified on the attached sheet. I propose to supply the materials and labor to the city as outlined in this proposal in a timely manner.

Signature of Authorized Agent:	
Printed Name of Authorized Agent:	
Date:	



Project: <input type="text"/>	Type: <input type="text"/>
Prepared By: <input type="text"/>	Date: <input type="text"/>

Driver Info		LED Info	
Type	Constant Current	Watts	40W
120V	0.34A	Color Temp	3500K/4000K/5000K
208V	0.20A	Color Accuracy	81-84 CRI
240V	0.17A	L70 Lifespan	50,000 Hours
277V	0.15A	Lumens	3833-6027 lm
Input Watts	28.4-47.4W	Efficacy	120.3-139 lm/W

Technical Specifications

Field Adjustability

Field Adjustable:

Field Adjustable Light Output:
2' x 4': 50W/40W/30W (factory default 40W)
Color temperature selectable by 3500K, 4000K and 5000K (factory default 4000K)

Compliance

UL Listed:

Suitable for damp locations

CCEA Compliant:

Luminaire Requirements used in Environmental Air Space per the electrical code specification of the City of Chicago

IESNA LM-79 & LM-80 Testing:

RAB LED luminaires and LED components have been tested by an independent laboratory in accordance with IESNA LM-79 and LM-80.

Trade Agreements Act Compliant:

This product is a product of Cambodia and a "designated country" end product that complies with the Trade Agreements Act

DLC Listed:

This product is on the Design Lights Consortium (DLC) Qualified Products List and is eligible for rebates from DLC Member Utilities. Designed to meet DLC 5.1 requirements.
DLC Product Code: S-4LATM2

Construction

IC Rated:

Suitable for direct contact with insulation

Cold Weather Starting:

The minimum starting temperature is -20°C (-4°F)

Maximum Ambient Temperature:

Suitable for use in up to 40°C (104°F)

Lens:

Frosted polystyrene

Housing:

Plastic frame & galvanized steel back housing

Finish:

White

Mounting:

Recessed into T-grid ceiling. Surface and recessed mounting kits available for drywall ceilings.

Green Technology:

Mercury and UV free. RoHS-compliant components.

LED Characteristics

LEDs:

Long-life, high-efficacy, discrete, surface-mount LEDs

Performance

Lifespan:

50,000-Hour LED lifespan based on IES LM-80 results and TM-21 calculations

Wattage Equivalency:

Equivalent to (3) F32T8 or (3) F28T5

Electrical

Drivers:

30W: Constant Current, Class 2, 120-277V, 50/60 Hz, 120V: 0.25A, 208V: 0.15A, 240V: 0.13A, 277V: 0.11A
40W: Constant Current, Class 2, 120-277V, 50/60 Hz, 120V: 0.34A, 208V: 0.20A, 240V: 0.17A, 277V: 0.15A
50W: Constant Current, Class 2, 120-277V, 50/60 Hz, 120V: 0.42A, 208V: 0.25A, 240V: 0.21A, 277V: 0.18A

Dimming Driver:

Driver includes dimming control wiring for 0-10V dimming systems. Requires separate 0-10V DC dimming circuit. Dims down to 10%.

THD:

7.89% at 120V, 6.23% at 277V

Power Factor:

99.32% at 120V, 95.1% at 277V

Technical Specifications (continued)

Other

Note:

All values are typical (tolerance +/- 10%)

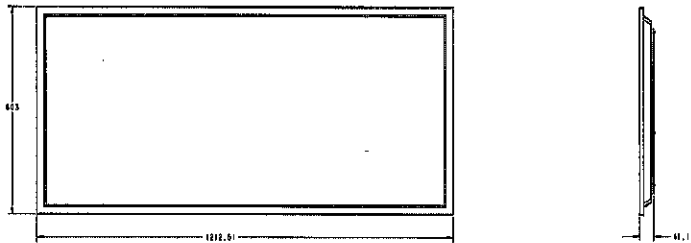
5 Yr Limited Warranty:

The RAB 5-year, limited warranty covers light output, driver performance and paint finish. RAB's warranty is subject to all terms and conditions found at rablighting.com/warranty.

Buy American Act Compliance:

RAB values USA manufacturing! Upon request, RAB may be able to manufacture this product to be compliant with the Buy American Act (BAA). Please contact customer service to request a quote for the product to be made BAA compliant.

Dimensions

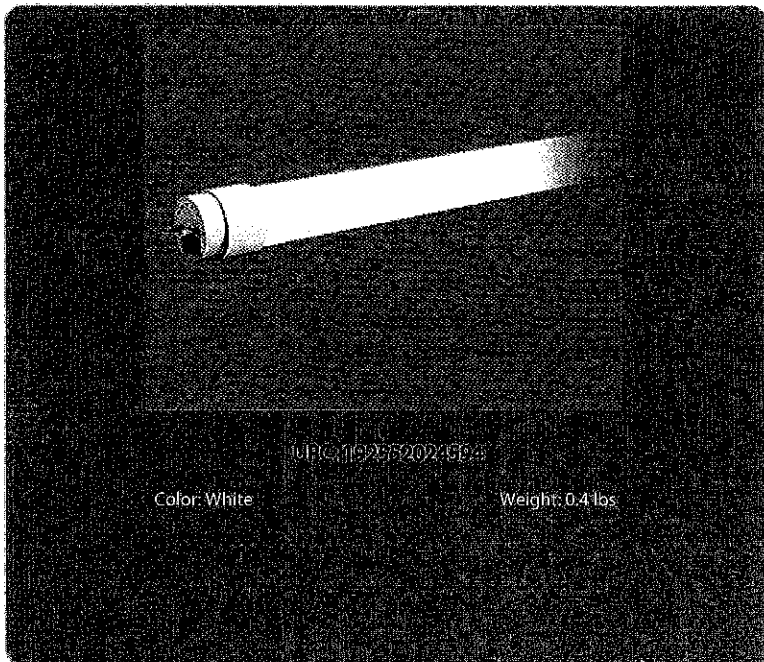


Features

- 0-10V dimming
- 50,000-Hour LED lifespan
- 5-Year, limited warranty
- 2 per case, must order in case quantity increments

Ordering Matrix

Family	Size/Wattage	Color Temp	Finish	Voltage	Options
T34FA	- 2X4				
	2X2 = 2' x 2' 40/30/20W 1X4 = 1' x 4' 40/30/20W 2X4 = 2' x 4' 50/40/30W	Blank = 3500K/4000K/5000K	Blank = White	Blank = 0-10V Dimming, 120-277V	Blank = No Option /LC = Lightcloud® Control /LCB = Lightcloud® Blue Enabled /MVS = Microwave Occupancy Sensor /E = Battery Backup



Project: <input type="text"/>	Type: <input type="text"/>
Prepared By: <input type="text"/>	Date: <input type="text"/>

UPC: 119255202554
Color: White Weight: 0.4 lbs

Technical Specifications

Performance

Product Type:

Linear Tube

Input Wattage:

15W

Lumens (Nominal):

- 6500K: 2,133lm
- 5000K: 2,218lm
- 4000K: 2,200lm
- 3500K: 2,186lm
- 3000K: 2,124lm

L70 Lifespan:

50,000-Hour LED lifespan based on IES LM-70 results

Wattage Equivalency:

32W Fluorescent

Other

Efficacy:

- 6500K: 146lm/W
- 5000K: 151lm/W
- 4000K: 150lm/W
- 3500K: 149lm/W
- 3000K: 145lm/W

Compatible Products:

See Dimmer and Ballast compatibility lists.

Warranty:

RAB warrants that our LED products will be free from defects in materials and workmanship for a period of five (5) years from the date of delivery to the end user, including coverage of light output, color stability, driver performance and fixture finish. RAB's warranty is subject to all terms and conditions found at rablighting.com/warranty.

Note:

All values are typical (tolerance +/- 10%)

Buy American Act Compliance:

RAB values USA manufacturing! Upon request, RAB may be able to manufacture this product to be compliant with the Buy American Act (BAA). Please contact customer service to request a quote for the product to be made BAA compliant.

Electrical

THD:

≤25%

Power Factor:

>0.9

Dimmable:

Yes

Dimming Type:

Type B @ 120V only, 0-10V & Phase cut

Input Voltage:

Type A: Ballast dependent
Type B: 120-277V

Operating Frequency:

60Hz

Operating Temperature:

-4°F to 113°F (-20°C to 45°C)

Flicker:

<40%

LED Characteristics

Color Temperature:

Field adjustable via dip switch
3000K/3500K/4000K/5000K/6500K

Color Accuracy (CRI):

>80 CRI

R9 Value:

High color performance with R9 no less than 0

Color Consistency:

<6-step MacAdam Ellipse binning to achieve consistent fixture-to-fixture color

Technical Specifications (continued)

Color Stability:

LED color temperature is warranted to shift no more than 200K in color temperature over a 5-year period

Color Uniformity:

RAB's range of Correlated Color Temperature follows the guidelines of the American National Standard for Specifications for the Chromaticity of Solid State Lighting (SSL) Products, ANSI C78.377-2017.

FCC:

Complies with Part 15B of the FCC Rules

DLC Listed:

This product is on the Design Lights Consortium (DLC) Qualified Products List and is eligible for rebates from DLC Member Utilities. Designed to meet DLC 5.1 requirements.
DLC Product Code: S-CONSAX

Installation

Installation Method:

UL Type A+B, Hybrid

Construction

Base Type:

G13

Nominal Length:

4 ft

Bulb Shape:

T8

Endcap Material:

Plastic

Enclosure Material:

Glass

Lens Finish:

Frosted

Compliance

Listings:

UL Listed, UL Classified

Environment:

Suitable for use in dry and damp environments

Fixture Rating:

Suitable for use in enclosed fixtures

Model Number for Certification:

T10371 (T8-15-48G-8CCT-HYB)

California Energy Commission (CEC) Status:

Lawful for Sales in California

NSF Listed:

Meets NSF/ANSI standards for use in Food Zone (non-contact), Splash, and Non-Food Zones. Tube guard required in open fixtures.

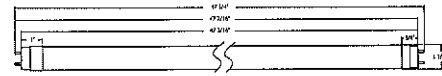
RoHS:

Mercury and UV free. RoHS-compliant components.

Case and Pallet Dimensions

	QTY	LENGTH (In)	WIDTH (In)	HEIGHT (In)
CASE	25	50.63	6.18	7
PALLET	1050	51.42	37.87	49.33

Dimension

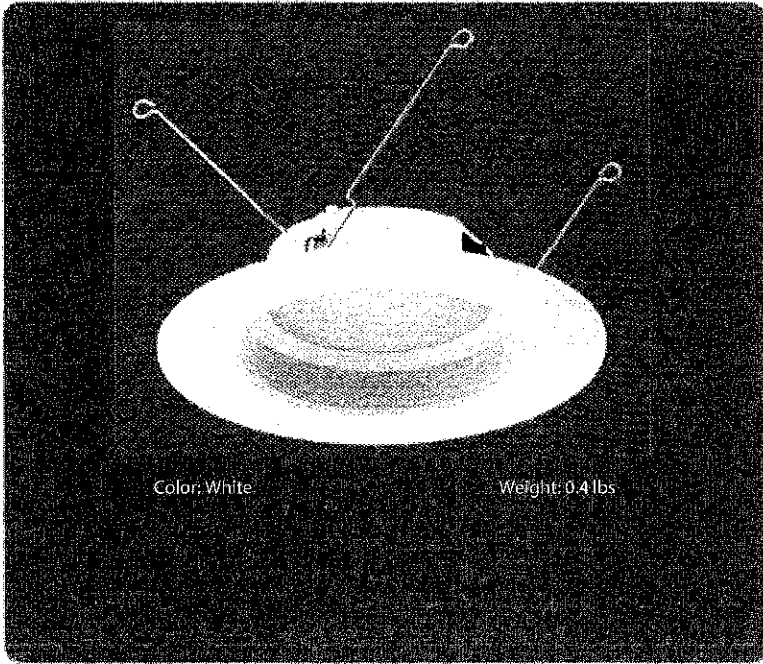


Features

- 5 Color temperature selectable between 6500K, 5000K, 4000K, 3500K, 3000K
- Direct Replacement for Fluorescent Lamps: F32T8/32W, F32T8/30W, F32T8/28W, F32T8/25W
- TYPE A - Plug and play compatible with most common commercial instant start T8 electronic ballasts
- TYPE B - can be wired directly to line voltage 120-277V. Can be wired using Single or Double ended method.
- Works with both shunted and non-shunted sockets

Ordering Matrix

Family	Wattage	Length	Material	CRI/Color Temp	Voltage	Installation Type	
T8	15	48	G	-	8CCT	-	HYB
	7.5 = 7.5W	24 = 2 ft	G = Glass	8CCT = 3000K/3500K/4000K/5000K/6500K CCT Adjustable	Blank = 120-277V	HYB = Hybrid	
	11 = 11W	36 = 3 ft					
	12 = 12W	48 = 4 ft					
	15 = 15W						



Color: White

Weight: 0.4 lbs

Project:

Type:

Prepared By:

Date:

Driver Info

Type	Constant Current
120V	0.10A
208V	N/A
240V	N/A
277V	N/A
Input Watts 10W	

LED Info

Watts	10W
Color Temp	2700K/3000K/3500K/4000K/5000K
Color Accuracy	90 CRI
L70 Lifespan	50,000 Hours
Lumens	900 lm
Efficacy	90

Technical Specifications

Performance

Product Type:
Recessed Retrofit

Description:

Economical recessed retrofit, ideal for applications with more economical needs. Five field adjustable color temperatures to quickly and easily choose from.

Wattage Equivalency:

75W Halogen

Input Wattage:

10W

Lumens (Nominal):

2700K @ 939lm; 3000K @ 957lm; 3500K @ 973lm; 4000K @ 944lm; 5000K @ 910lm

Efficacy:

2700K @ 95lm/W; 3000K @ 97lm/W; 3500K @ 98lm/W; 4000K @ 95lm/W; 5000K @ 93lm/W

L70 Lifespan:

50,000-Hour LED lifespan based on IES LM-70 results

Electrical

Power Factor:

≥0.7

Dimmable:

Yes, dimmable down to 10% on compatible TRIAC/ELV dimming systems. See Dimmer Compatibility List.

Input Voltage:

120V

Operating Frequency:

60 Hz

Input Current @ 120V (mA):

100mA

Operating Temperature:

-13° to 104° F

Flicker:

≤30%

Driver

Driver:

Constant Current, 60 Hz, 120V, 120V: 0.10A

Optical

Beam Angle:

90°

LED Characteristics

Color Temperature:

Field Adjustable via dip switch
2700/3000/3500/4000/5000K

Color Accuracy (CRI):

>90 CRI

R9 Value:

High color performance with R9 greater than or equal to 50

Color Consistency:

4-step MacAdam Ellipse binning to achieve consistent fixture-to-fixture color

Color Stability:

LED color temperature is warranted to shift no more than 200K in color temperature over a 5-year period

Color Uniformity:

RAB's range of Correlated Color Temperature follows the guidelines of the American National Standard for Specifications for the Chromaticity of Solid State Lighting (SSL) Products, ANSI C78.377-2017.

Installation

Mounting:

Recessed Housing

Construction

Base Type:

E26 Edison

Technical Specifications (continued)

Size:
6"

Shape:
Round

Enclosure Material:
Plastic

Trim Style:
Baffle

Lens:
Polycarbonate light diffuser distributes light evenly and smoothly for general lighting applications

Cut Out Template Size:
6 5/16"

Compliance

Listings:
UL Classified

Environment:
Suitable for use in dry, damp, and wet environments.

UV Rated:
Suitable for exposure to direct sunlight

IC Rated:
No

Air Tight:
No

Energy Star Approved:
This product is ENERGY STAR® Version 2.2 Certified.

Energy Star ID:
2669159

Model Number for Certification:
DLR0144(R34-6B)

T20 Compliant:
Can be used to conform with the requirements of California Title 20

California Title 24 JA8 Compliant:
No

California Energy Commission (CEC) Status:
Lawful for Sales in California

NEC Compliant:
Suitable for use in closets. Compliant with NEC Sec. 410.16 (A)(1) and 410.16 (C3).

IESNA LM-79 & LM-80 Testing:
RAB LED luminaires and LED components have been tested by an independent laboratory in accordance with IESNA LM-79 and LM-80.

RoHS Compliant:
Mercury and UV free. RoHS-compliant components.

FCC:
Complies with Part 15 of the FCC Rules

Other**Accessories:**

[DLTRIM/R6RB-BN](#)
6" Brushed nickel trim round baffle

[DLTRIM/R6RB-BRZ](#)
6" Bronze trim round baffle

[DLTRIM/R6RB-B](#)
6" Black trim round baffle

[RFLED-RETROBAND](#)
Retrofit band

[NDCANIC6R](#)
6" New construction housing

[RDCANIC6R](#)
6" Retrofit housing

[DRI-25-EMGR-DC](#)
Emergency driver 25W

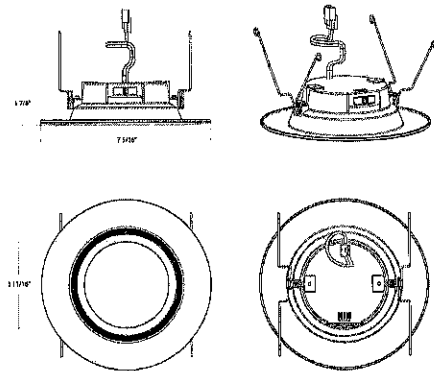
[DRI-21-EMGR-DC-D10](#)
Emergency driver 21W 0-10V T20

Warranty:
RAB warrants that our LED products will be free from defects in materials and workmanship for a period of five (5) years from the date of delivery to the end user, including coverage of light output, color stability, driver performance and fixture finish. RAB's warranty is subject to all terms and conditions found at rablighting.com/warranty.

Note:
All values are typical (tolerance +/- 10%)

Buy American Act Compliance:
RAB values USA manufacturing! Upon request, RAB may be able to manufacture this product to be compliant with the Buy American Act (BAA). Please contact customer service to request a quote for the product to be made BAA compliant.

Dimensions



Features

- Use to replace traditional halogen and incandescent light sources
- 5 color temperature selectable 2700/3000/3500/4000/5000K
- Compatible with most standard recessed housings
- E26 Edison base adapter included
- Anti-UV plastic extends the life of the housing

Ordering Matrix

Family	Size (Wattages)	Shape	CRI/Color Temp	Voltage	Finish	Trim
R34	6					B
	4 = 4" (7.5W) 6 = 6" (10W)	Blank = Round	Blank = 90CRI, 2700K/3000K/3500K/4000K/5000K Adjustable	Blank = 120V	Blank = White	Blank = Smooth B = Baffle